



4x4 Working Outhouse

Call toll-free: 1.866.297.3760

Functional or just for looks, an outhouse is a staple of the countryside. A half moon design is cut out of the door. The history of the quarter-moon on the door of the outhouse goes way back to Europe in the 1500s or the 1600s. It was common practice, back then, to identify which outhouse was which by means of a circular symbol on the door of the men's and a quarter-moon on the ladies'. The circular symbol and the quarter-moon were Europe's version of the Chinese Yin and Yang.

This outhouse toilet package comes complete with a fully enclosed bench seat, angled for comfort. It includes a vent stack, toilet seat and a hopper which funnels material to a hole in the floor. The walls are constructed of 4x4 post and beam framing and the siding is made of sturdy rough sawn pine board and battens.

Hand made in Vermont, from native rough sawn hemlock and pine lumber, the pre-cut lumber package includes all fastening hardware, roofing, and step-by-step plans. Designed for the beginner carpenter the kit pieces are color-coded, and part numbered. The kit will ship as a truckload sale to give you the best possible price for delivery. The truckload sale means that we wait for a full truckload of kits going to your area and are able to extend substantial savings to you for shipping expenses. Pictures of client-modified kits do not depict option A designs and may contain windows, doors, siding or hardware not included in the pre-cut kit.

Specifications:

Square Footage: 16 sq ft

Overall dimensions: 4'10" wide x 4'10" deep x 8'6" high

Recommended Foundation: 3" – 4" Crushed Gravel

Floor: 4x4 Pressure Treated Sill Plate
2x4 Hemlock 24" on center
1" Square Edge Hemlock Board Floor

Walls: 4x4 Post & Beam Wall Framing
60" Wall Height

Doors: Single 2-0 JCS Built Door w/ Crescent Moon Cutout

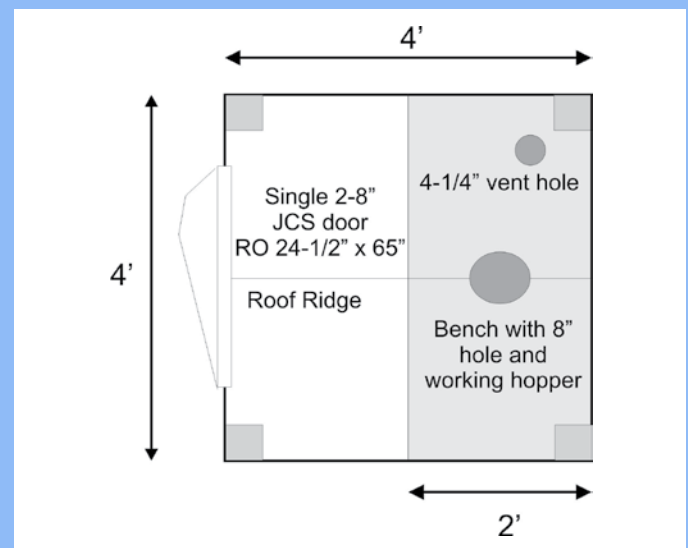
Roof: 2x4 Rafters 24" on center
12/12 Gable Roof Pitch
1x4 Strapping 20" on center
Green Corrugated Metal Roofing

Siding: 1" Thick Rough Cut Pine Board and Batten Siding
1" Rough Sawn Pine Trim includes Fascia & Corner Trim

Assembly Time: One Person 10 Hours

Kit Weight: 900 lbs

Shipping Cube Size: 42" (w) x 24" (h) x 96" (l)



Plans \$50.00

Jamaica Cottage Shop, Inc. engineered the plans for our designs to do-it-yourself homeowners. The detailed plans include foundation options, a shopping list, and a color coded cut list. The trigonometry of the roof triangles has all been simplified with tracing the cut out roof templates. The plans are set for full dimensional lumber and provide a clear step-by-step path.

Pre-Cut Kit \$1,175

The rough sawn native Vermont lumber package has all the pieces cut and ready for assembly. The fasteners, hardware, windows, and doors are included as well as the step by step plans. The kit is geared to a do-it-yourself homeowner with beginner knowledge of carpentry.